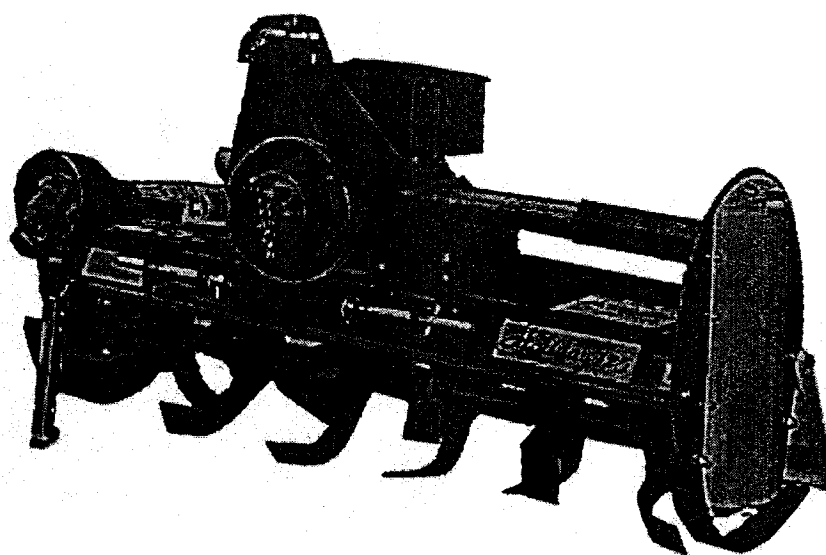




Del Morino srl , v.Caroni di Sotto 19,
I-52033 Caprese Michelangelo AR Italy
Ph: +39-575-791059 Fax: +39-575-791210
E.mail: 106101.2217@compuserve.com
<http://www.Italia.com/Delmorino>
New E.Mail: delmorin@vinf.ats.it

USE AND MAINTENANCE MANUAL

UNIVERSAL ROTARY TILLER TYPE HOLIDAY





Farm & garden equipment manufacturer

DelMorino

Del Morino srl , v. Caroni di Sotto 19,
I-52033 Caprese Michelangelo AR Italy
Ph: +39-575-791059 Fax: +39-575-791210
E.mail: 100710.3101@compuserve.com
<http://www.Italia.com/Delmorino>
New E.Mail: delmorin@vinf.ats.it

HOLIDAY ROTARY TILLER – SPARE PARTS LIST

POS.	DESCRIPTION	CODE	85 Q.TY	105 Q.TY	125 Q.TY	145 Q.TY
1	DECK	HOL052AVD	1			
1	DECK	HOL052BVD		1		
1	DECK	HOL052CVD			1	
1	DECK	HOL052DVD				1
2	RIGHT SIDE	HOL167VD	1	1	1	1
3	LEFT SIDE	HOL059VD	1	1	1	1
4	HOE SHAFT	HOL051AVD	1			
4	HOE SHAFT	HOL051BVD		1		
4	HOE SHAFT	HOL051CVD			1	
4	HOE SHAFT	HOL051DVD				1
5	GEAR BOX SUPPORT	HOL055VD	1	1	1	1
6	III° POINT	HOL053VD	1	1	1	1
7	HINGE	HOL054AVD	1			
7	HINGE	HOL054BVD		1		
7	HINGE	HOL054CVD			1	
7	HINGE	HOL054DVD				1
8	RIGHT SLIDE	HOL057VD	1	1	1	1
9	LEFT SLIDE	HOL058VD	1	1	1	1
10	CARTER	HOL056VD	1	1	1	1
11	FIX TUBE	HOL061AVD	1			
11	FIX TUBE	HOL061BVD		1		
11	FIX TUBE	HOL061CVD			1	
11	FIX TUBE	HOL061DVD				1
12	MOBILE TUBE	HOL197AZD	2			
12	MOBILE TUBE	HOL197BZD		2		
12	MOBILE TUBE	HOL197CVD			2	
12	MOBILE TUBE	HOL197DVD				2
13	LOCK DEVICE	HOL169VD	1	1	1	1
14	SLIDE ROGULATOR	HOL174VD	2	2	2	2
15	HEXAGONAL SHAFT	HOL151AD	1			
15	HEXAGONAL SHAFT	HOL151BD		1		
15	HEXAGONAL SHAFT	HOL151CD			1	
15	HEXAGONAL SHAFT	HOL151DD				1
16	RIGHT HOE	HOL154D	8	10	12	14
17	CHAI NTENDER	HOL157D	1	1	1	1
18	CHAI NTENDER SHAFT	HOL204D	1	1	1	1
19	CHAI NTENDER SPRING	URT160D	1	1	1	1
20	SUPPORT GUARD	HOL194VD	2	2	2	2
21	HOES SHAFT SPACER	HOL158D	1	1	1	1
22	PINION ¼" Z=10	HOL160D	1	1	1	1
23	PINION ¼" Z=15	HOL161D	1	1	1	1
24	OIL SEAL SET	HOL162D	2	2	2	2
25	SUPPORT GASKET	HOL195D	2	2	2	2
26	CARTER GASKET	HOL163D	1	1	1	1
27	GREASER GUARD	HOL206ZD	1	1	1	1
28	HITCH PIN	HOL176ZD	2	2	2	2
29	SPACER	HOL210ZD	2	2	2	2
30	HINGE SCREW	HOL209D	2	2	2	2
31	HOE SHAFT LEFT STOP	HOL179D	1	1	1	1
32	PARKING JACK	HOL064ZD	1	1	1	1

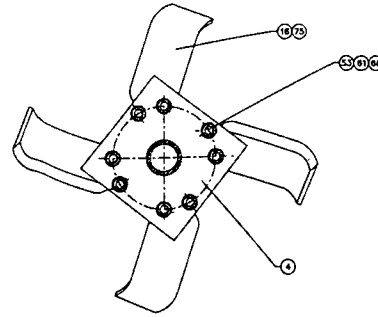
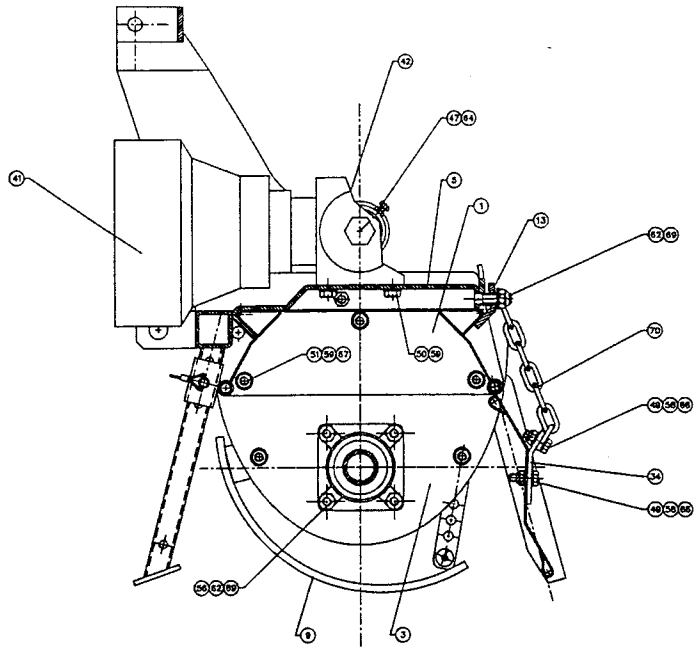
HOLIDAY ROTARY TILLER – SPARE PARTS LIST						
POS.	DESCRIPTION	CODE	85 Q.TY	105 Q.TY	125 Q.TY	145 Q.TY
33	CHAIN SUPPORT	HOL202VD	1	1	1	1
34	CHAIN HITCH	HOL203VD	1	1	1	1
35	HEXAGONAL SHAFT SPACER	HOL229D	1	1	1	1
36	HOE SHAFT R. STOP-HEXAGONAL SHAFT	HOL214D	2	2	2	2
37	CHAIN A60HE ISO 12-A-1 46 LINKS	40800003	1	1	1	1
38	PIN ϕ 10	41300001	2	2	2	2
39	PIN ϕ 10	41500001	1	1	1	1
40	ELASTIC PIN ϕ 6 UNI 6873/71	42300001	2	2	2	2
41	PROTECTION ϕ 250x150	41900002	1	1	1	1
42	GEAR BOX RV8	42000001	1	1	1	1
43	PLUG ½"	41700001	2	2	2	2
44	COPPER WASHER ½"	40300001	2	2	2	2
45	GREASER UNI 7663-A-M6	40600001	3	3	3	3
46	OIL SEAL 45x65x8	41100007	2	2	2	2
47	SCREW M8x15 UNI 5739	40100042	6	6	6	6
48	SCREW M8x20 UNI 5931	40100001	9	9	9	9
49	SCREW M10x30 UNI 5739	40100012	2	2	2	2
50	SCREW M12x25 UNI 5739	40100013	6	6	6	6
51	SCREW M12x30 UNI 5739	40100014	13	13	13	13
52	SCREW M12x35 UNI 5739	40100015	4	4	4	4
53	SCREW M12x35 UNI 5740	40100010	32	40	48	56
54	SCREW M12x50 UNI 5933	40100016	2	2	2	2
55	SCREW M14x35 UNI 5739	40100017	6	6	6	6
56	SCREW M14x40 UNI 5739	40100018	6	6	6	6
57	WASHER ϕ 8 UNI 6592	40300002	16	16	16	16
58	WASHER ϕ 10 UNI 6592	40300003	6	6	6	6
59	WASHER ϕ 12 UNI 6592	40300004	38	38	38	38
60	WASHER GROWER ϕ 12 UNI 1751	40300008	2	2	2	2
61	WASHER GROWER ϕ 12 Fiat 10188	40300005	32	40	48	56
62	WASHER ϕ 14 UNI 6592	40300009	4	4	4	4
63	WASHER ϕ 20 UNI 6592	40300007	1	1	1	1
64	NUT M8 UNI 5589	40200010	2	2	2	2
65	NUT CONELOCK M8 DIN 980	40200002	11	11	11	11
66	NUT CONELOCK M10 DIN 980	40200003	3	3	3	3
67	NUT CONELOCK M12 DIN 980	40200006	17	17	17	17
68	NUT M12 UNI 5587 FINE PITCH	40200007	32	40	48	56
69	NUT CONELOCK M14 DIN 980	40200011	6	6	6	6
70	GENOVESE CHAIN ϕ 5.9-11 LINKS	40900002	1	1	1	1
71	SUPPORT UCF 207	42400001	3	3	3	3
72	PLASTIC PLUG ϕ 55	42500001	1	1	1	1
73	SCREW M8x40 UNI 5739	40100019	1	1	1	1
74	WASHER GROWER ϕ 14 UNI 1751	40300010	8	8	8	8
75	LEFT HOE	HOL215D	8	10	12	14
76	SCREW M12x25 UNI 5933	40100020	1	1	1	1
82	STANDARD CARDAN SHAFT III° Cat. L=700	42600016	1	1	1	1
82*	SLIP CLUTCH Cardan Shaft III° Cat. L=700	42600017	1	1	1	1
82*	BOLT CARDAN SHAFT III° Cat. L=700	42600019	1	1	1	1
83	IDENTIFICATION PLATE		1	1	1	1
84	TOOLS BOX	42500004	1	1	1	1
85	SCREW M12x30 UNI 5933	40100021	1	1	1	1



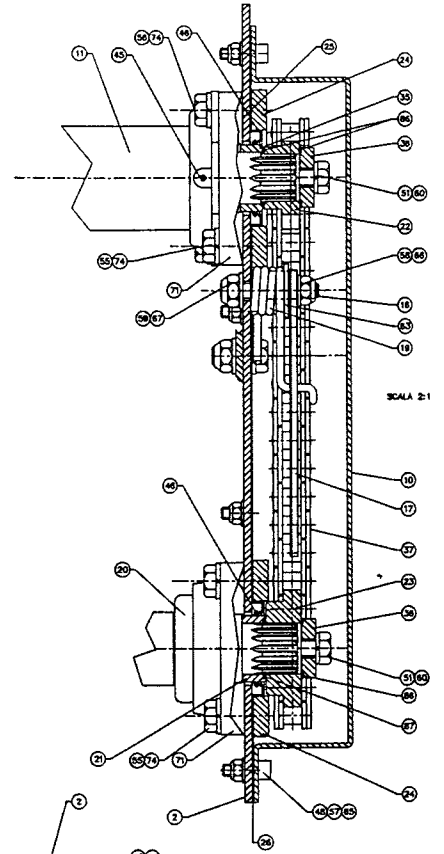
Del Morino srl , v.Caroni di Sotto 19,
 I-52033 Caprese Michelangelo AR Italy
 Ph: +39-575-791059 Fax: +39-575-791210
 E.mail: 100710.3101@compuserve.com
 http://www.Italia.com/DelMorino
 New E.Mail: delmorin@vinf.ats.it

HOLIDAY ROTARY TILLER – SPARE PARTS LIST						
POS.	DESCRIPTION	CODE	85 Q.TY	105 Q.TY	125 Q.TY	145 Q.TY
86	COPPER WASHER 1”	40300026	3	3	3	3
87	OR ϕ 37.82 – WIRE 1.78	41200003	1	1	1	1

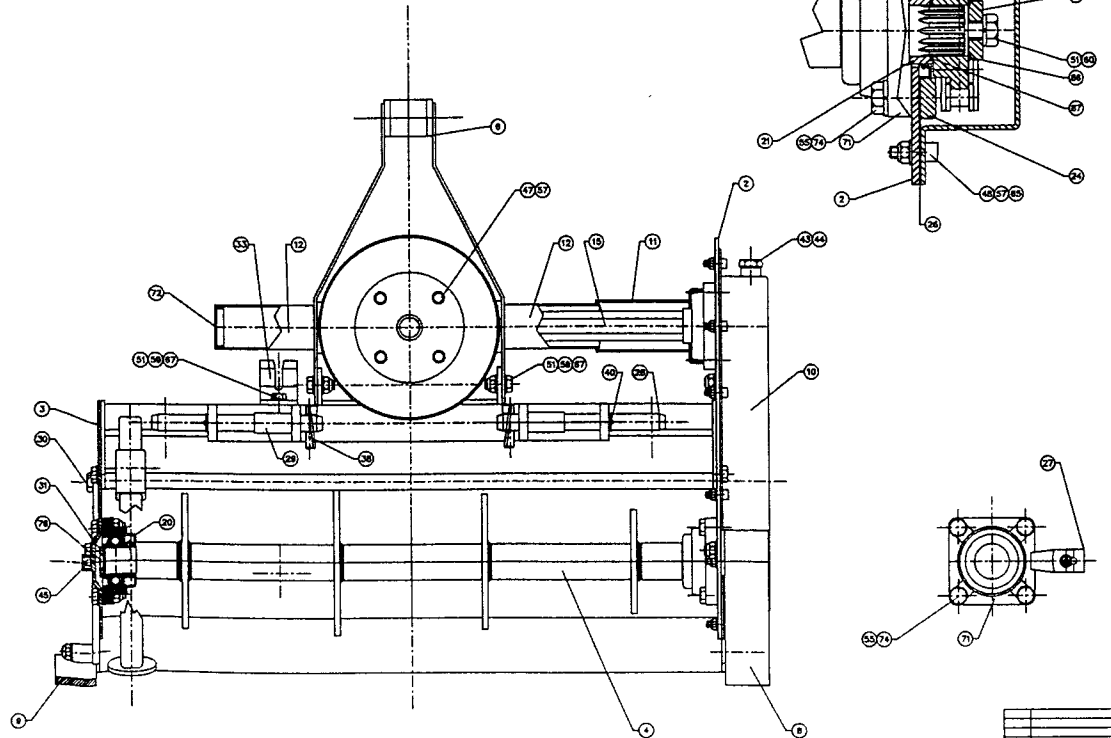
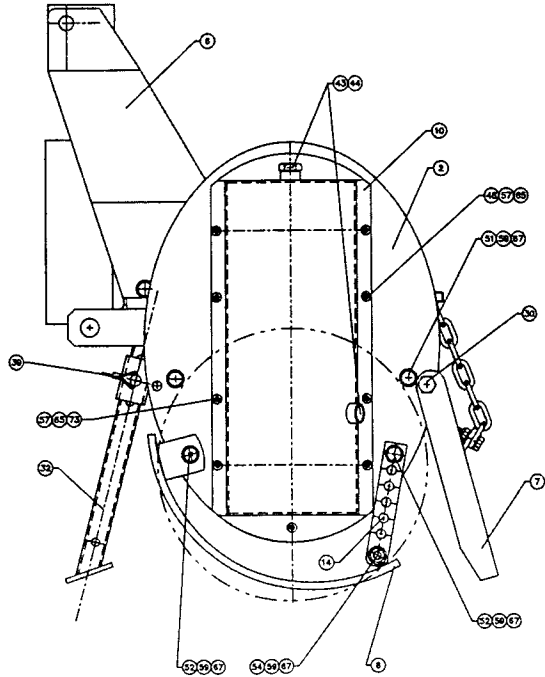
* : IN ALTERNATIVE WITH THE SAME POSITION WITHOUT *



SI TUTTE LE FLANGE MONTARE TUTTE LE ZAPPE
SULLA FACCE DELLA FLANGIA LATO OPPOSTO ALLA TRASMISSIONE



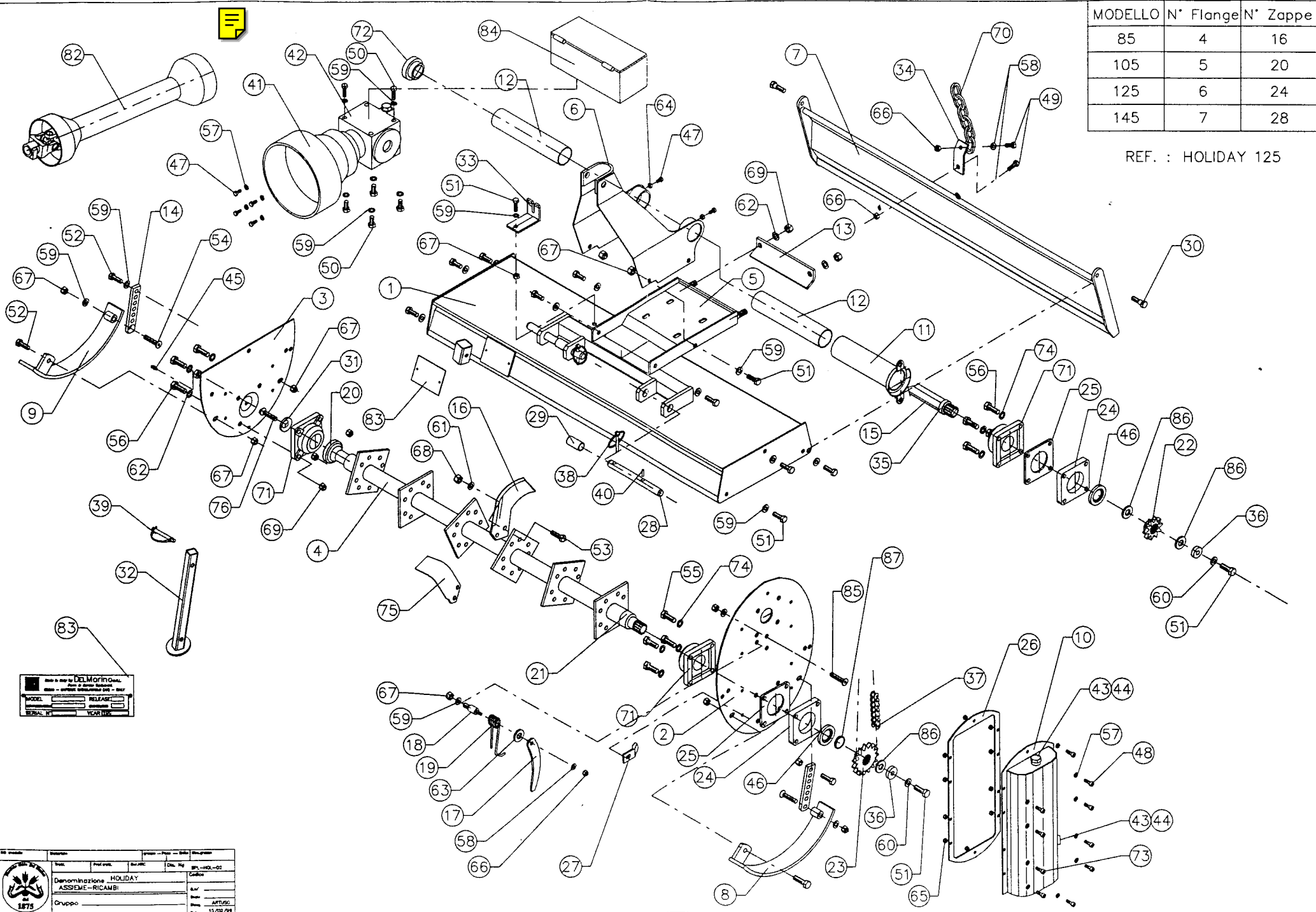
SCALA 2:1



№ disegno	Revisione	Autore	Prodotto	Caricatore	Dis. №	Aut. №	Aut. №
Denominazione		HOLIDAY					
ASSEMBLE DI MONTAGGIO		Aut.					
Gruppo		ZAPPATRICE STANDARD					
Scale		20/1000 M					
Data		22/11/80					

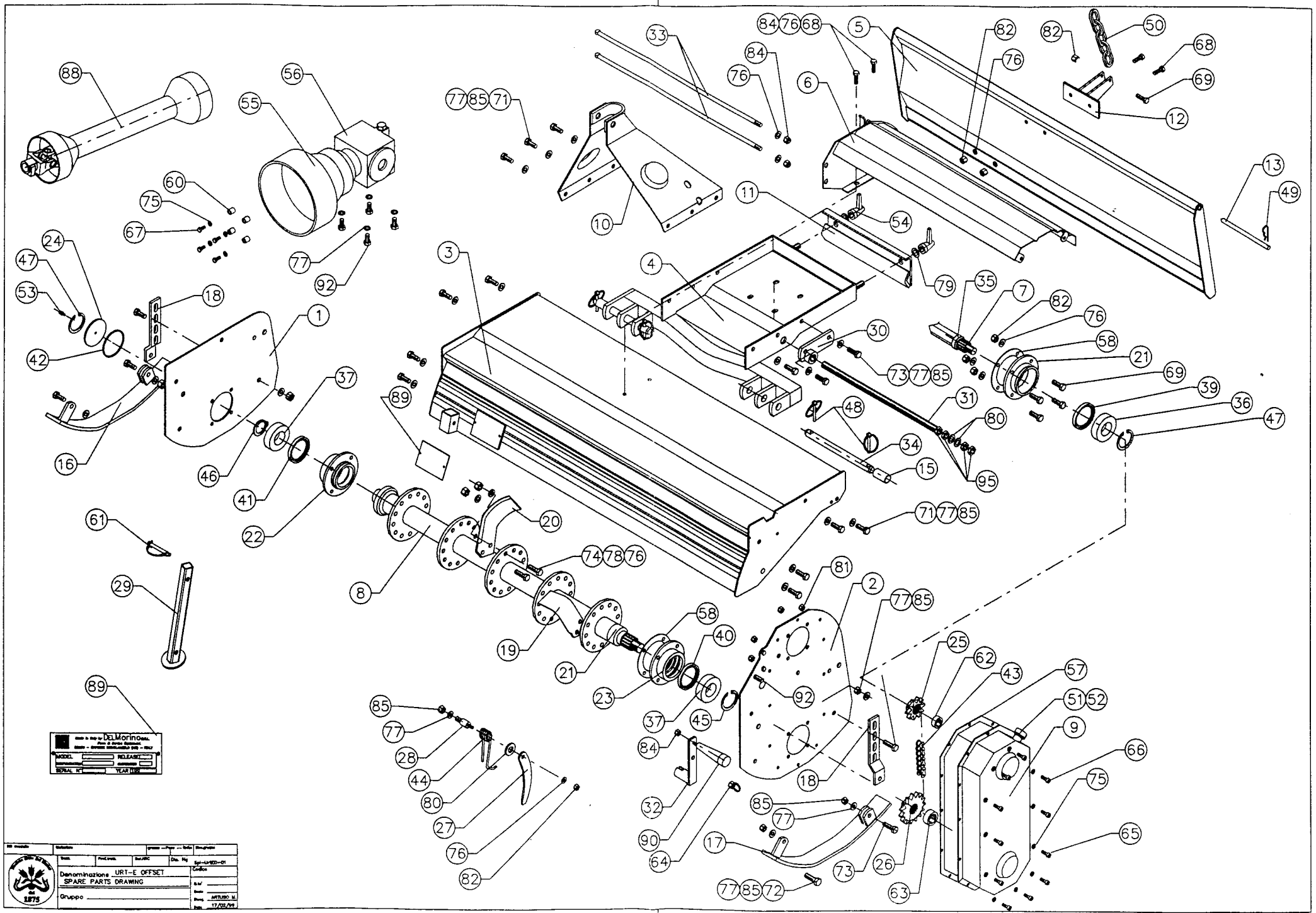
MODELLO	N' Flange	N' Zappe
85	4	16
105	5	20
125	6	24
145	7	28

REF. : HOLIDAY 125



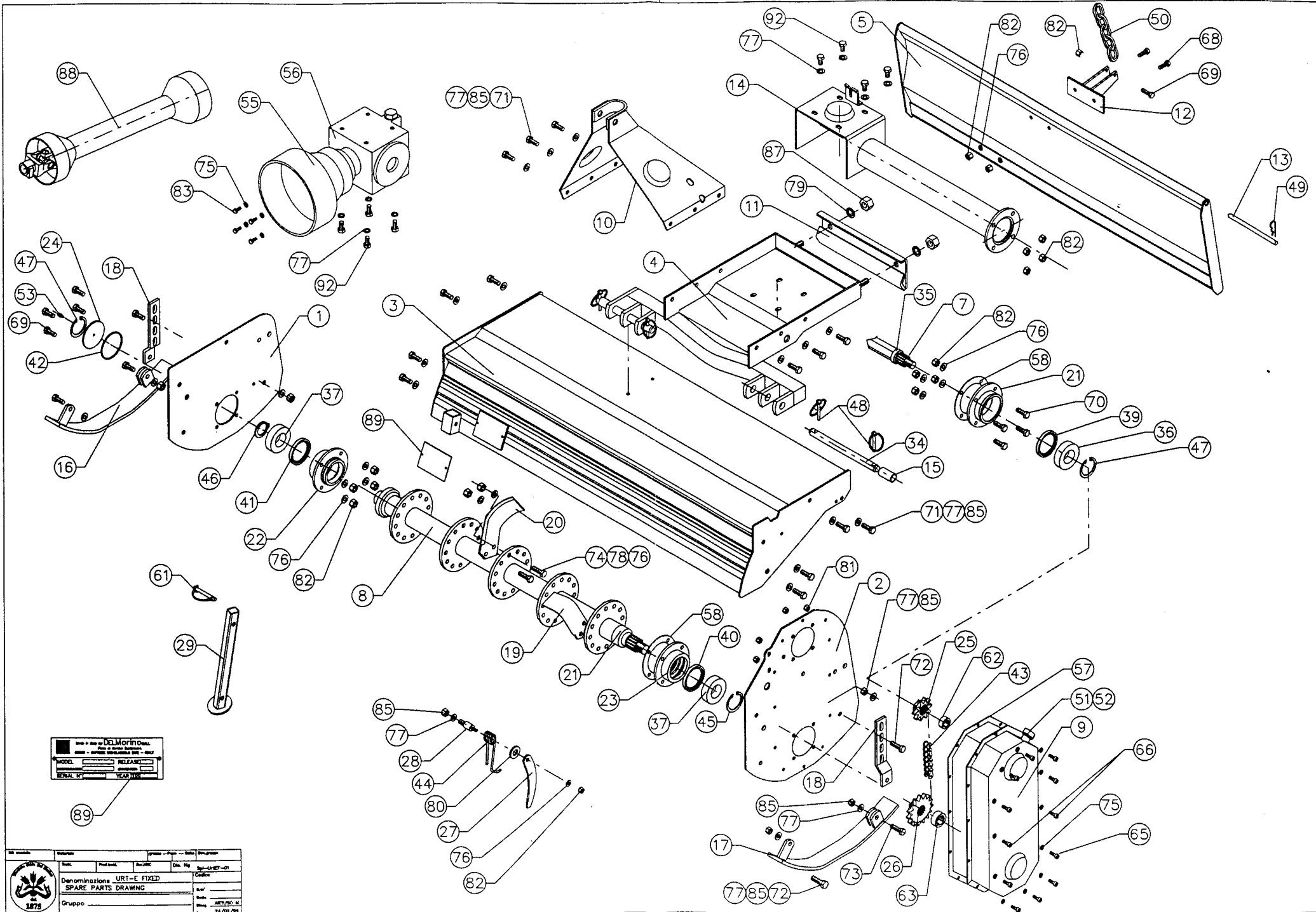
Made in Italy by DEL MORINO
 Made in Germany by DEL MORINO
 Made in Austria by DEL MORINO
 MODEL: _____ RELEASE: _____
 SERIAL N°: _____ YEAR: _____

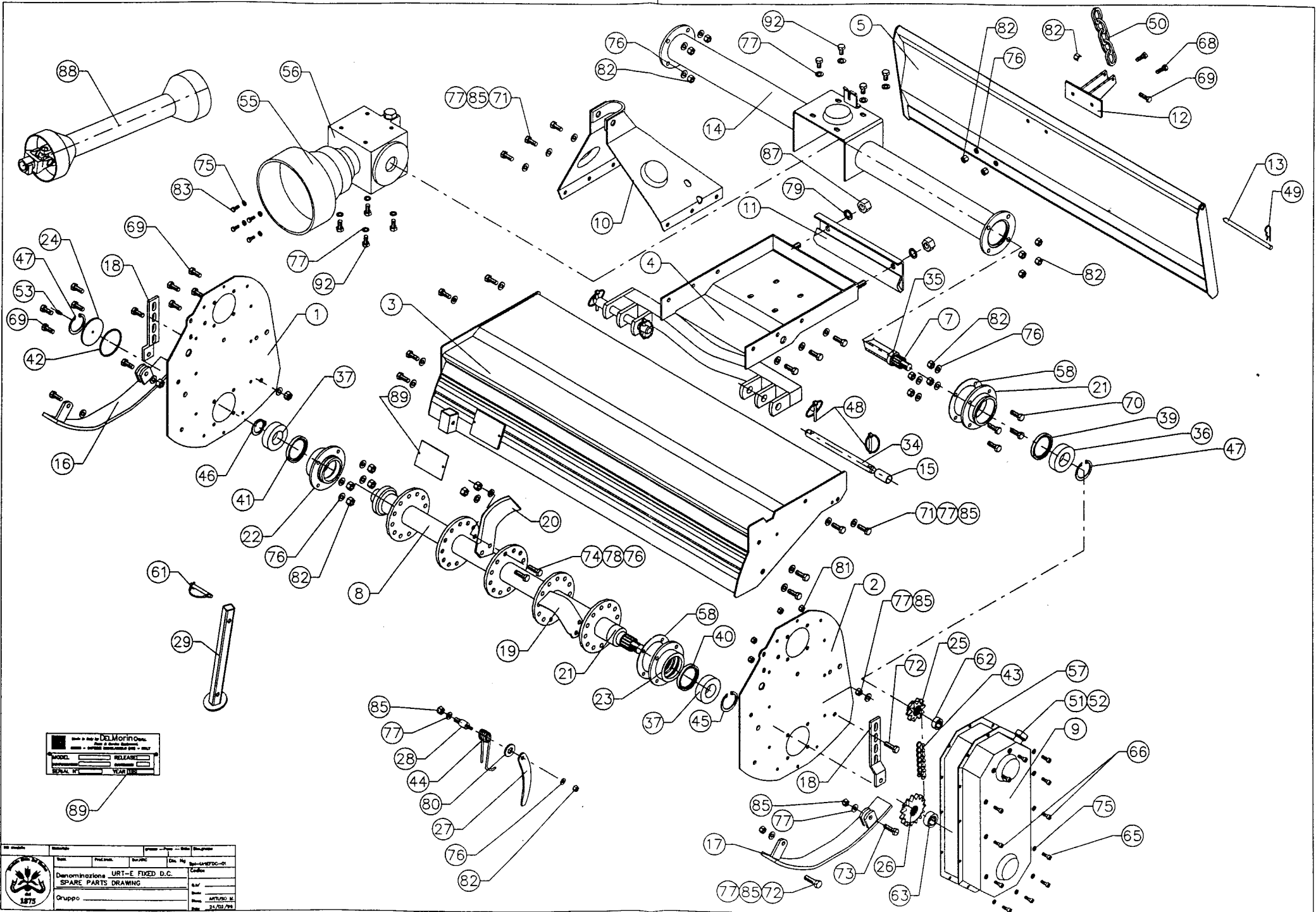
Mod. disegno	Descrizione	Prodotto in	Prodotto in	Prodotto in	Prodotto in
1875	HOLIDAY	ASSEMBLAGE	RICAMBI		
Gruppo					

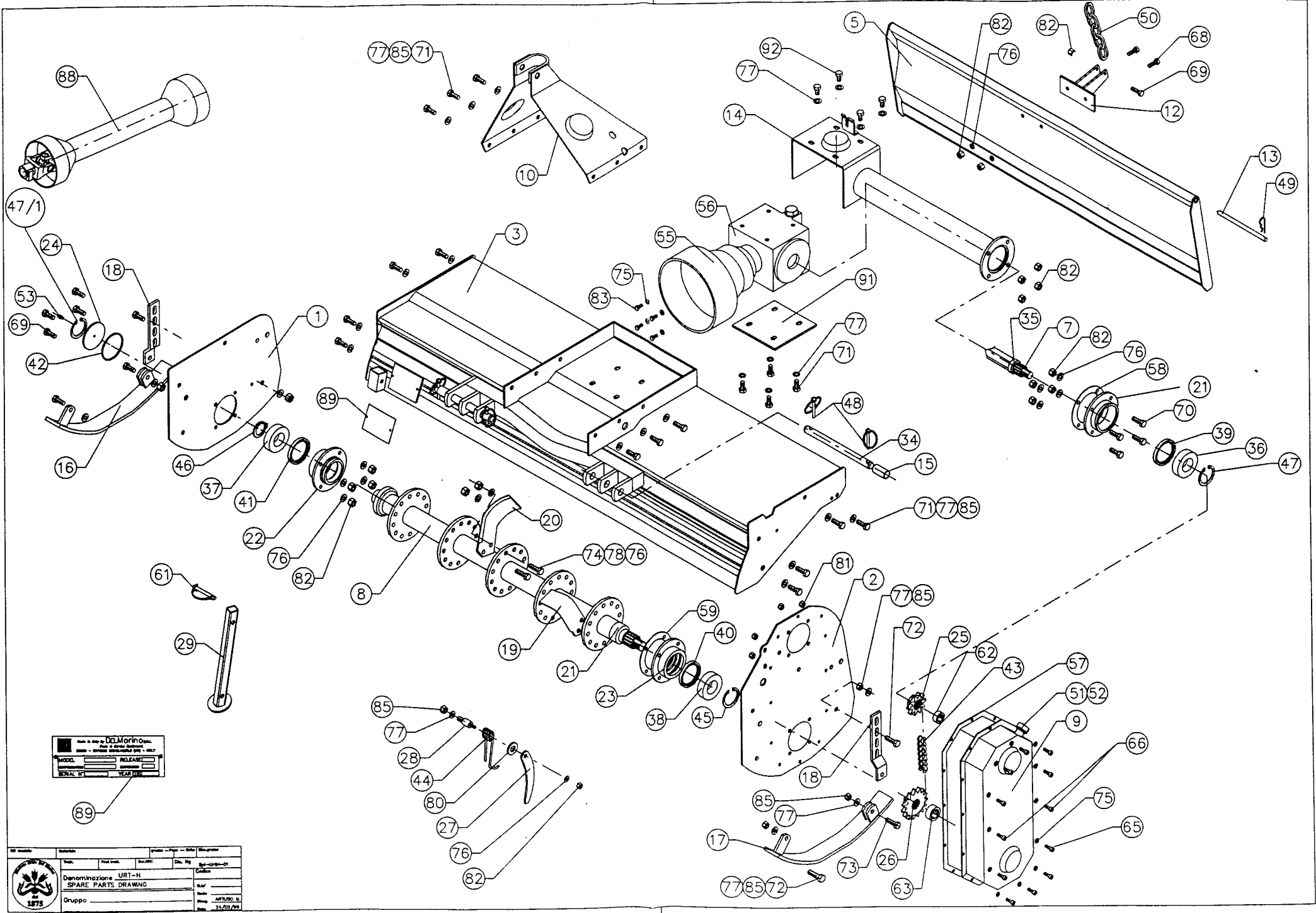


made in Italy by **DEL MORINO**
 MODEL: RELEASED:
 SERIAL: YEAR:

	Denominazione: URT-E OFFSET SPARE PARTS DRAWING Gruppo: <input type="text"/>
--	---

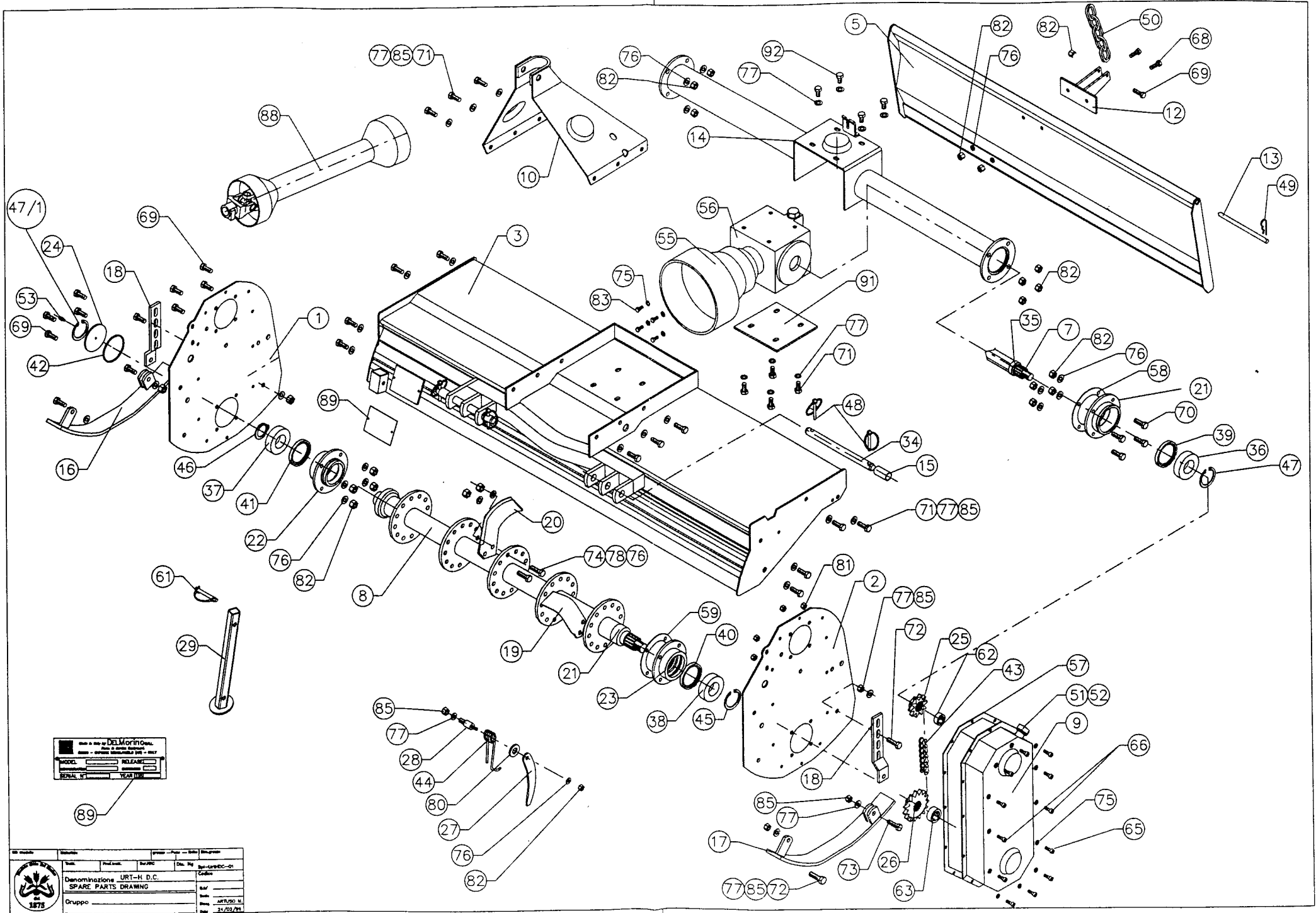






Made in Italy by DELMORINO S.p.A.
 P.O. Box 10000 - 20131 Milano - Italy
 MODEL: _____ RELEASE: _____
 SERIAL: _____ YEAR: _____

	Denominazione: URT-R SPARE PARTS DRAWING Gruppo: _____	Data: _____ Disegnato da: _____ Verificato da: _____ Approvato da: _____ Data: 14/02/88
--	--	---



Made in Italy by DELMOR s.p.a.
 Made in Germany by DELMOR s.p.a.
 Made in France by DELMOR s.p.a.
 MODEL: _____ RELEASE: _____
 SERIAL NO: _____ YEAR: _____

	Modello	Prodotto	Aut. Ric.	Dis. Ing.	Dis. Mec.
	Denominazione: URT-H D.C. SPARE PARTS DRAWING				
	Gruppo				
	Disegnato da: ARTURO M. Data: 24/03/91				
	Verificato da: _____ Data: _____				